

PRODUCT INTRODUCTION

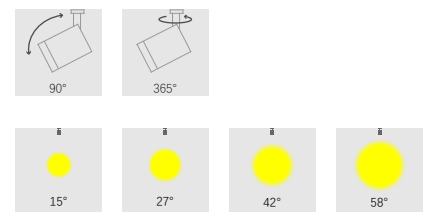
The Infinity series is widely used in articles of luxury, museum, shopping areas, especially in showcase. Superbly mini structure presents the optimal exhibition pieces and the very high color rendering index of CRI98/95 highlights the special features of the items on display. Light is one of the most important factors in this context. The spot is 365° rotatable and 90° tiltable.

SPECIFICATION

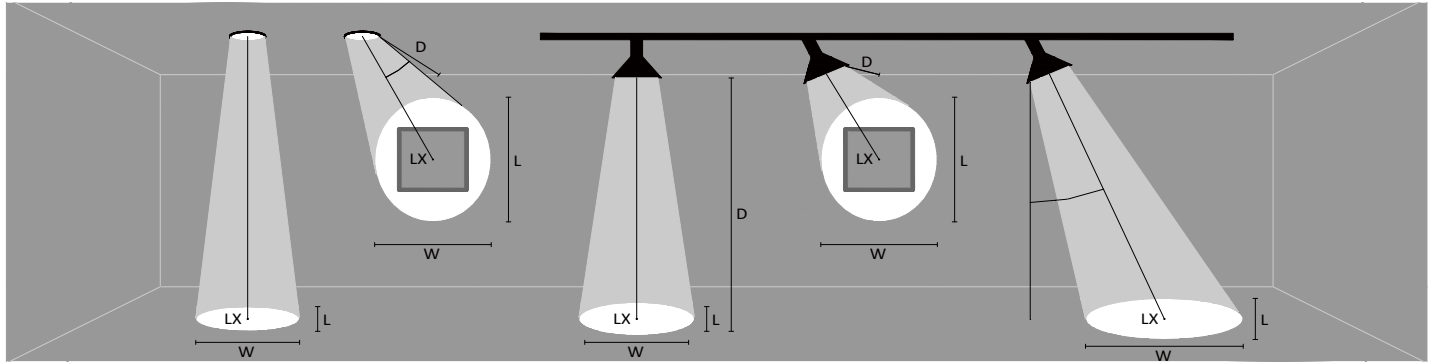
Wattage : 1W
 Color temperature : 2700K / 3000K / 4000K
 CRI : Ra97/95 (R9>90)
 Round distribution : 15° / 27° / 42° / 58°
 Adjusted by zoom lens control device
 Driver : Input voltage DC3V 350mA(MAX)
 Dimming : 0/1-10V , DALI , TRIAC , CASAMBI

FEATURES

Product surface color : Silver, Black, Customized
 Rotatable through 365° on adaptor, 90° tilt
 Adaptor : Ceiling-mounted
 Protection degree : IP20 (En60598)
 Energy efficiency: EELC



Radial distribution & Conical illuminance



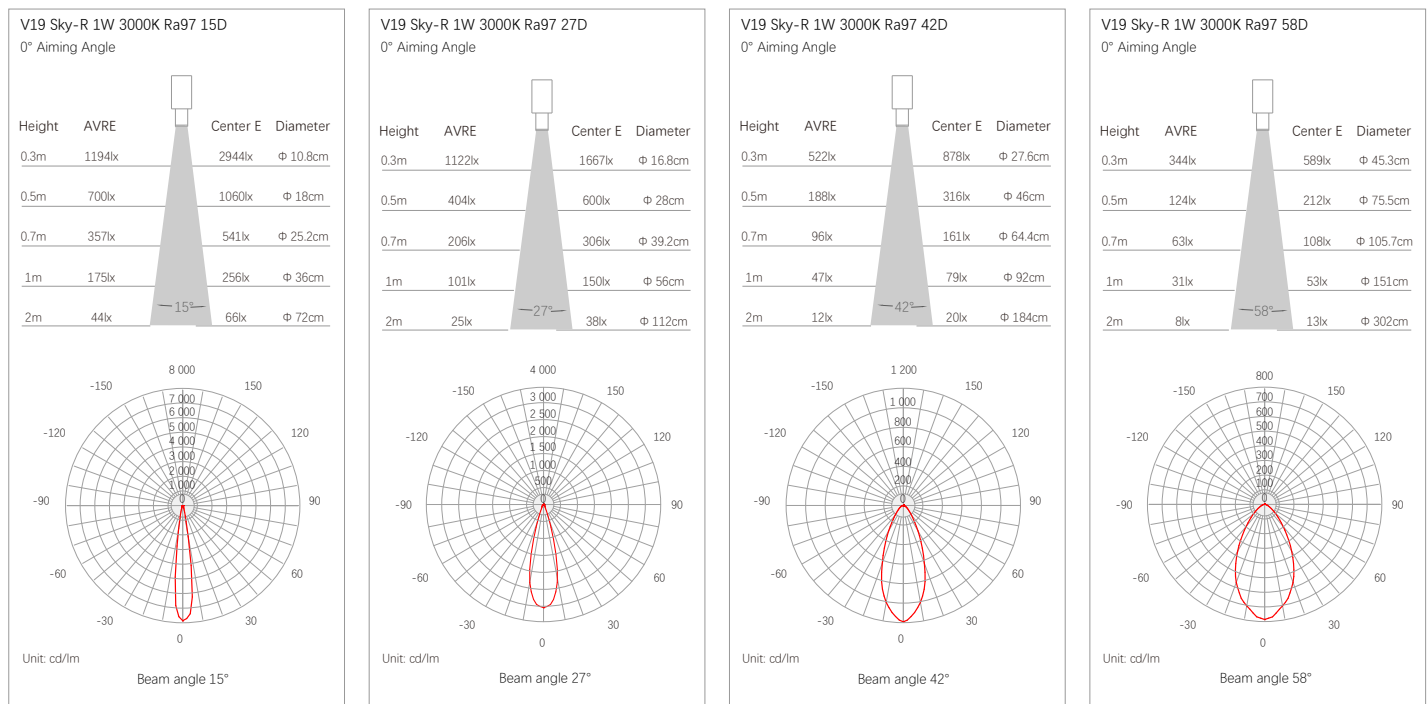
D Distance To Fix From Wall or Floor

LX Initial illuminance Level At Center of Beam

L Beam Length (where candlepower drops to 50% of maximum)

W Beam Width (where candlepower drops to 50% of maximum)

Radial distribution & Conical illuminance



Specifications

Model No.	Total Power (W)	LED Power (W)	Voltage	CRI (Ra)	Color Temp (K)	LED Flux (lm)	Beam Angle	IP Grade
V19 Sky-R	1	0.9	DC3V 350mA(MAX)	97/95	2700	100	15°/27°/42°/58°	IP20
					3000	110		
					4000	112		

· Thermally stable typical lumens (±10%)

Package information

Model No.	Packaging/Unit	Pieces/Unit	Dimensions (L x W x H)	Gross Weight	Volume
Infinity V19 Sky-R	Inner box	1	155x125x65mm	0.14kg	1.26dm ³
	Outer box	20	350x330x270mm	4.00kg	31.19dm ³